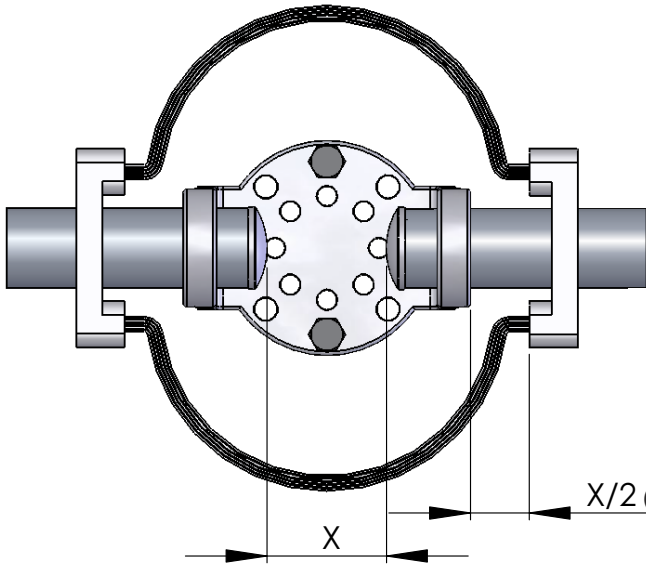


EXPANSION SUPPORT INSTALLATION INSTRUCTIONS

CHART INSTRUCTIONS



1. Locate bus temperature at bottom of chart
2. Using the diagonal line for maximum bus length of
 240ft.(120ft per side)-----7" B.C.
 160ft.(80ft. per side)-----5" B.C.
 80ft. (40ft per side)-----3" B.C.
 Find the appropriate dimension "X"
3. "X" measurement to be taken with the end plugs in stalled.

