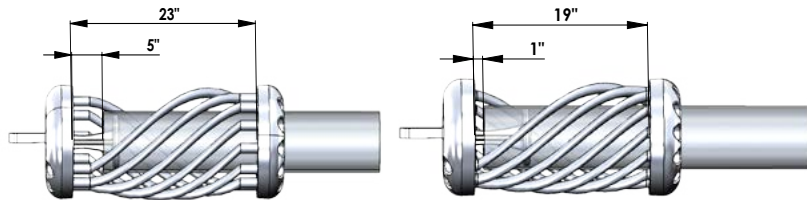
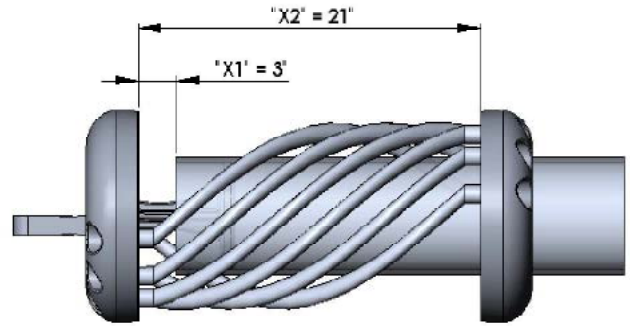


REDUCED PHASE SPACING EXPANSION TERMINAL INSTALLATION INSTRUCTIONS

CHART INSTRUCTIONS

1. Locate bus temperature at bottom of chart.
2. Using the diagonal line for maximum bus length of 140ft. find the appropriate dimension "X1".
3. "X1" and "X2" are directly related. Use X1 = 3" at 70 degrees ambient temp.



Ex 1: Bus temperature at -20 degrees Ex 2: Bus temperature at 160 degrees

X₁=5" X₂=23"

X₁=1" X₂=19"

X ₁	X ₂
5"	23"
4"	22"
3"	21"
2"	20"
1"	19"

