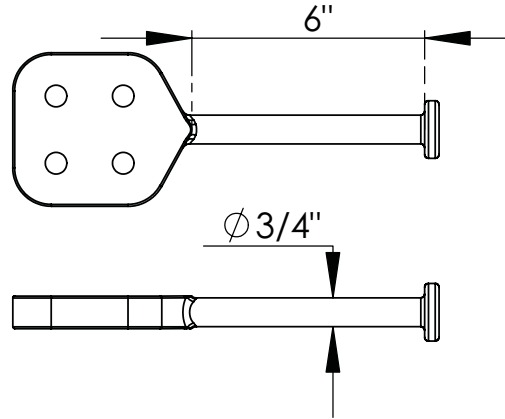
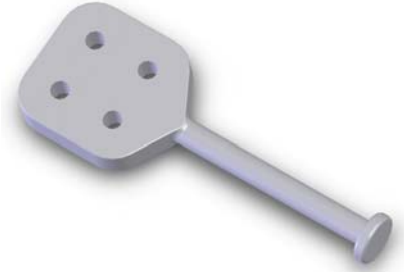


# ALUMINUM BOLTED GROUNDING TERMINAL, FLAT PAD TO STUD

SECTION

17-8

Manufactured of a strong, lightweight aluminum alloy, the type APGS conveniently joins a grounding stud to an aluminum pad.



| ALUMINUM BOLTED GROUNDING TERMINAL |     |                  |
|------------------------------------|-----|------------------|
| CAT NUMCER                         | PAD | PAD SIZE         |
| 2HP-GS                             | B   | 2" X 3" (2 HOLE) |
| 4HP-GS                             | C   | 3" X 3" (4 HOLE) |
| 4X4-GS                             | D   | 4" X 4" (4 HOLE) |