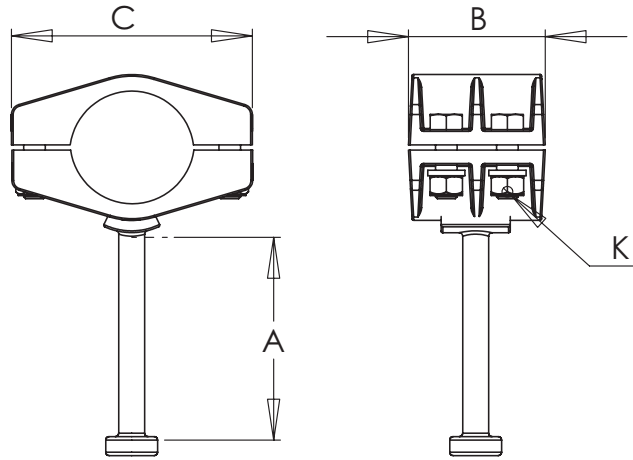


SECTION

17-7A

ALUMINUM BOLTED GROUNDING CONNECTOR,
PIPE TO STUD

Manufactured of a strong, lightweight aluminum alloy, the type APGS conveniently joins a grounding stud to an aluminum pipe. For clamping strength and resistance to corrosion, bolts, nuts, and lock-washers are high tensile aluminum. To facilitate installation, all bolt heads are recessed.

ALUMINUM
GROUND CONNECTORS PIPE RUN GROUNDING STUD

CATALOG NUMBER	PIPE MAIN IPS	ROD DIAMETER	DIMENSIONS IN INCHES			
			A	B	C	K
17-1501	1/2	3/4	6	2 1/2	3 3/8	3/8
17-1502	3/4	3/4	6	2 7/8	3 3/8	1/2
17-1503	1	3/4	6	3 1/8	3 7/8	1/2
17-1504	1 1/4	3/4	6	3 1/8	4 3/8	1/2
17-1505	1 1/2	3/4	6	3 1/4	4 3/8	1/2
17-1506	2	3/4	6	3 1/4	5 1/8	1/2
17-1507	2 1/2	3/4	6	3 7/8	6 1/8	1/2
17-1508	3	3/4	6	4	7	5/8
17-1509	3 1/2	3/4	6	3 3/4	7 1/2	5/8
17-1510	4	3/4	6	4 5/8	8 1/2	5/8
17-1511	4 1/2	3/4	6	4 7/8	9	5/8
17-1512	5	3/4	6	5	9 5/8	5/8
17-1513	6	3/4	6	6	11	5/8