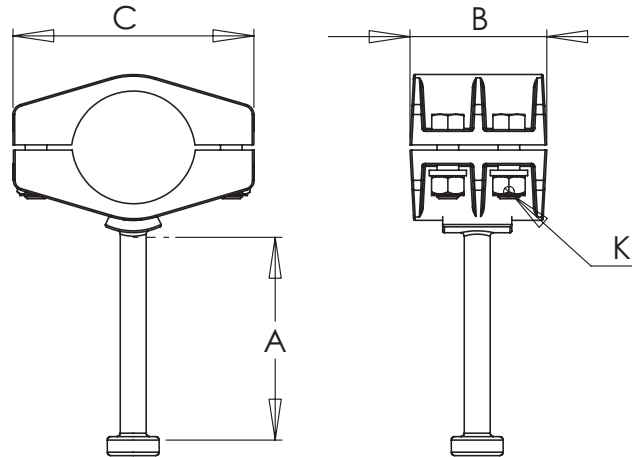


BRONZE BOLTED GROUNDING CONNECTOR, PIPE TO STUD

SECTION

17-7



BRONZE GROUND CONNECTORS PIPE RUN GROUNDING STUD						
CATALOG NUMBER	PIPE MAIN IPS	ROD DIAMETER	A	DIMENSIONS IN INCHES		
				B	C	K
17-1401	1/2	3/4	6	2 1/2	3 3/8	3/8
17-1402	3/4	3/4	6	2 7/8	3 3/8	1/2
17-1403	1	3/4	6	3 1/8	3 7/8	1/2
17-1404	1 1/4	3/4	6	3 1/8	4 3/8	1/2
17-1405	1 1/2	3/4	6	3 1/4	4 3/8	1/2
17-1406	2	3/4	6	3 1/4	5 1/8	1/2
17-1407	2 1/2	3/4	6	3 7/8	6 1/8	1/2
17-1408	3	3/4	6	4	7	5/8
17-1409	3 1/2	3/4	6	3 3/4	7 1/2	5/8
17-1410	4	3/4	6	4 5/8	8 1/2	5/8
17-1411	4 1/2	3/4	6	4 7/8	9	5/8
17-1412	5	3/4	6	5	9 5/8	5/8
17-1413	6	3/4	6	6	11	5/8

Manufactured of a copper alloy for high conductivity and natural resistance to stress, the type BPGS conveniently joins a grounding stud to a copper pipe. To facilitate installation, all bolt heads are recessed.