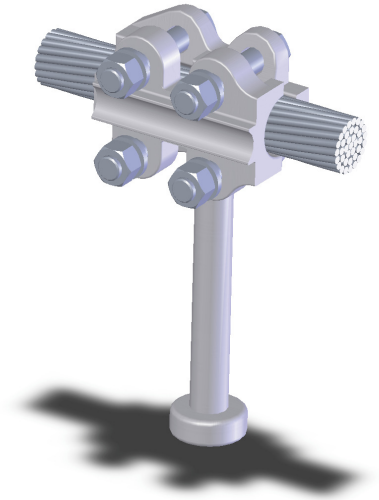
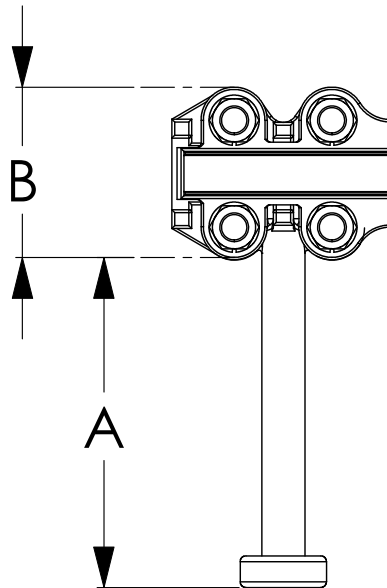


ALUMINUM GROUNDING, CABLE RUN TO GROUNDING STUD

SECTION

17-6A



ALUMINUM TEE CONNECTORS CABLE RUN TO GROUNDING STUD							
CATALOG NUMBER	ALUM. MAIN		ACSR MAIN		DIMENSIONS IN INCHES		
	AWG MIN.	or MCM MAX.	AWG MIN.	or MCM MAX.	A	B	K
17-1301	4	954	4	795	6	2 5/8	1/2
17-1302	900	1272	715.5	1113	6	3 1/4	1/2
17-1303	1272	1590	1113	1272	6	3 1/4	1/2
17-1304	1590	2000	1272	1590	6	3 3/4	1/2

Manufactured of a strong, lightweight aluminum alloy, the type ACGS conveniently joins a grounding stud to an aluminum cable. For clamping strength and resistance to corrosion, bolts, nuts, and lock-washers are high tensile aluminum. To facilitate installation, all bolt heads are recessed.