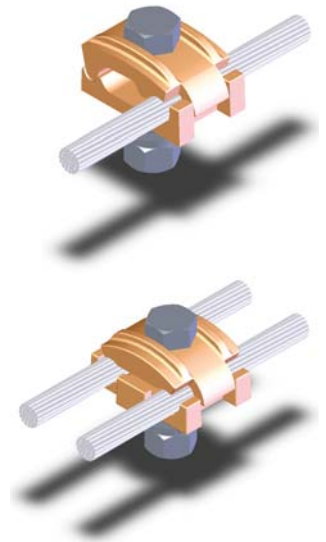
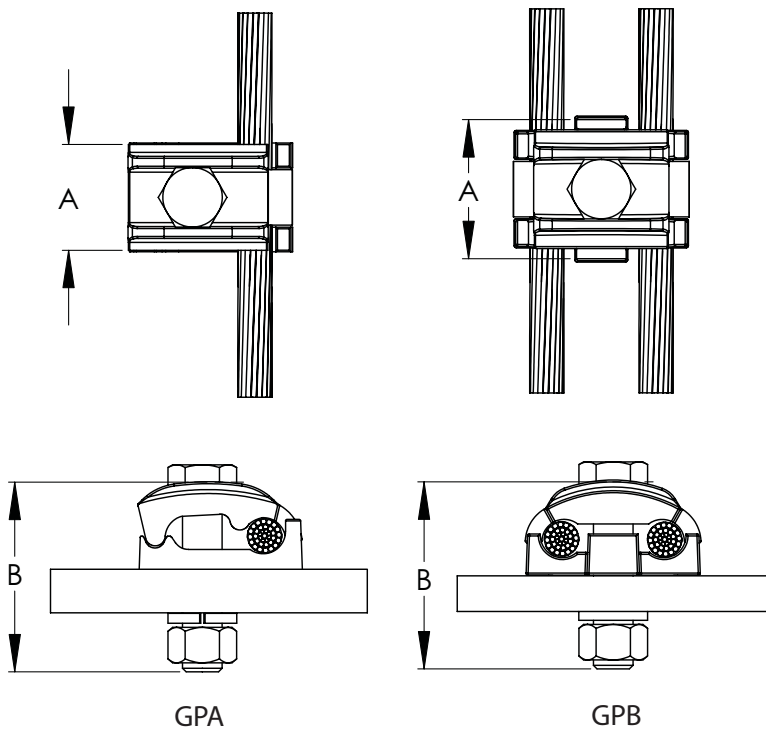


BRONZE GROUND CLAMPS CABLE TO FLAT SURFACE

SECTION

17-2



BRONZE GROUND CLAMPS CABLE TO FLAT SURFACE					
GPA CATALOG NUMBER	CABLE SIZE		DIMENSIONS IN INCHES		
	AWG or MIN.	MCM MAX.	A	B	Hardware
17-158	8	4	1 1/8	2	3/8
17-159	4	300	1 1/8	2 1/4	1/2
17-160	250	500	1 1/2	2 1/4	1/2
17-161	500	750	1 1/2	2 1/4	1/2
17-162	750	1000	1 1/2	2 1/4	1/2

Made of corrosion-resistant bronze, the GP series of tower ground clamps is designed for connecting one, two, or three cables to a flat surface. Each clamp includes bolts, nuts, and lockwashers of hot dip galvanized steel.

GPB CATALOG NUMBER	CABLE SIZE		DIMENSIONS IN INCHES		
	AWG or MIN.	MCM MAX.	A	B	Hardware
17-163	8	4	1 1/8	2	3/8
17-164	4	300	1 1/2	2 1/4	1/2
17-165	250	500	1 1/2	2 1/4	1/2
17-166	500	750	1 1/2	2 1/4	1/2
17-167	750	1000	1 1/2	2 1/4	1/2