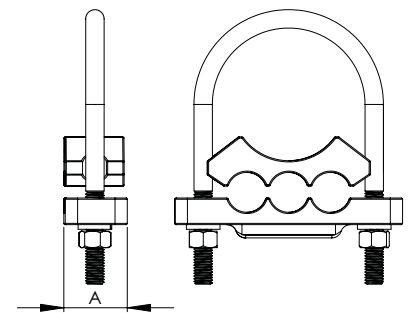


BRONZE GROUND CLAMPS TO ROD OR PIPE

SECTION

17-1



The Type GRC is a corrosion-resistant bronze ground clamp for connecting one, two, or three equal cables clamped parallel to the rod or pipe. U-bolts, nuts, and lockwashers are stainless steel for durability in the field.

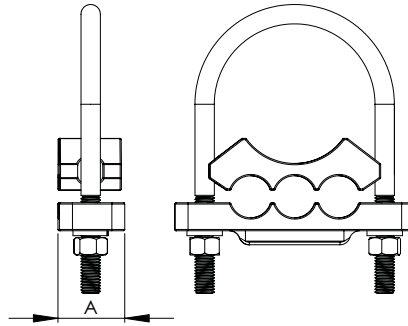
Continued on next page

BRONZE GROUND CLAMPS CABLE TO ROD OR PIPE

CATALOG NUMBER	ROD DIAM. IN INCHES	PIPE SIZE IPS	CABLE SIZE		DIMENSIONS IN INCHES	
			AWG Min.	MCM or Max.	A	Hardware
17-101	1/2	1/4	8	4	1 1/8	3/8
17-102	1/2	1/4	4	2/0	1 1/8	3/8
17-103	1/2	1/4	2/0	250	1 1/8	3/8
17-104	1/2	1/4	250	500	1 1/2	3/8
17-105	5/8 or 3/4	3/8	8	4	1 1/8	3/8
17-106	5/8 or 3/4	3/8	4	2/0	1 1/8	3/8
17-107	5/8 or 3/4	3/8	2/0	250	1 1/8	3/8
17-108	5/8 or 3/4	3/8	250	500	1 1/2	3/8
17-109	7/8 or 1	1/2	8	4	1 1/8	3/8
17-110	7/8 or 1	1/2	4	2/0	1 1/8	3/8
17-111	7/8 or 1	1/2	2/0	250	1 1/8	3/8
17-112	7/8 or 1	1/2	250	500	1 1/2	3/8
17-113	7/8 or 1	3/4	8	4	1 1/8	3/8
17-114	7/8 or 1	3/4	4	2/0	1 1/8	3/8
17-115	7/8 or 1	3/4	2/0	250	1 1/8	3/8
17-116	7/8 or 1	3/4	250	500	1 1/2	3/8
17-117	1 1/4	1	8	4	1 1/8	3/8
17-118	1 1/4	1	4	2/0	1 1/8	3/8
17-119	1 1/4	1	2/0	250	1 1/8	3/8
17-120	1 1/4	1	250	500	1 1/2	3/8
17-121	1 1/2	1 1/4	8	4	1 1/8	3/8
17-122	1 1/2	1 1/4	4	2/0	1 1/8	3/8
17-123	1 1/2	1 1/4	2/0	250	1 1/8	3/8
17-124	1 1/2	1 1/4	250	500	1 1/2	3/8
17-125	2	1 1/2	8	4	1 1/8	3/8
17-126	2	1 1/2	4	2/0	1 1/8	3/8
17-127	2	1 1/2	2/0	250	1 1/8	3/8
17-128	2	1 1/2	250	500	1 1/2	3/8
17-129	2 1/2	2	8	4	1 1/8	3/8
17-130	2 1/2	2	4	2/0	1 1/8	3/8
17-131	2 1/2	2	2/0	250	1 1/8	3/8
17-132	2 1/2	2	250	500	1 1/4	3/8
17-133	2 1/2	2	500	750	1 1/2	3/8
17-134	3	2 1/2	8	4	1 1/8	3/8
17-135	3	2 1/2	4	2/0	1 1/8	3/8
17-136	3	2 1/2	2/0	250	1 1/8	3/8
17-137	3	2 1/2	250	500	1 1/2	3/8
17-138	3	2 1/2	500	750	1 1/2	3/8
17-139	3	2 1/2	750	1000	1 1/2	3/8

SECTION

17-1

BRONZE GROUND CLAMPS
CABLE TO ROD OR PIPE

Continued from previous page

BRONZE GROUND CLAMPS CABLE TO ROD OR PIPE						
CATALOG NUMBER	ROD DIAM. IN INCHES	PIPE SIZE IPS	CABLE SIZE		DIMENSIONS IN INCHES	
			AWG or Min.	MCM Max.	A	Hardware
17-140	3 1/2	3	8	4	1 1/8	3/8
17-141	3 1/2	3	4	2/0	1 1/8	3/8
17-142	3 1/2	3	2/0	250	1 1/8	3/8
17-143	3 1/2	3	250	500	1 1/8	3/8
17-144	3 1/2	3	500	750	1 1/2	3/8
17-145	3 1/2	3	750	1000	1 1/2	3/8
17-146	4	3 1/2	8	4	1 1/8	3/8
17-147	4	3 1/2	4	2/0	1 1/8	3/8
17-148	4	3 1/2	2/0	250	1 1/8	3/8
17-149	4	3 1/2	250	500	1 1/2	3/8
17-150	4	3 1/2	500	750	1 1/2	3/8
17-151	4	3 1/2	750	1000	1 1/2	3/8
17-152	4 1/2	4	8	4	1 1/8	3/8
17-153	4 1/2	4	4	2/0	1 1/8	3/8
17-154	4 1/2	4	2/0	250	1 1/8	3/8
17-155	4 1/2	4	250	500	1 1/2	3/8
17-156	4 1/2	4	500	750	1 1/2	3/8
17-157	4 1/2	4	750	1000	1 1/2	3/8
17-152M	5 1/2	5	8	4	1 1/8	3/8
17-153M	5 1/2	5	4	2/0	1 1/8	3/8
17-154M	5 1/2	5	2/0	250	1 1/8	3/8
17-155M	5 1/2	5	250	500	1 1/2	3/8
17-156M	5 1/2	5	500	750	1 1/2	3/8
17-157M	5 1/2	5	750	1000	1 1/2	3/8
17-152N	6 1/2	6	8	4	1 1/8	3/8
17-153N	6 1/2	6	4	2/0	1 1/8	3/8
17-154N	6 1/2	6	2/0	250	1 1/8	3/8
17-155N	6 1/2	6	250	500	1 1/2	3/8
17-156N	6 1/2	6	500	750	1 1/2	3/8
17-157N	6 1/2	6	750	1000	1 1/2	3/8