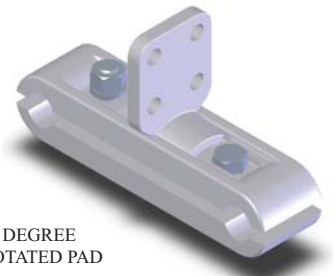
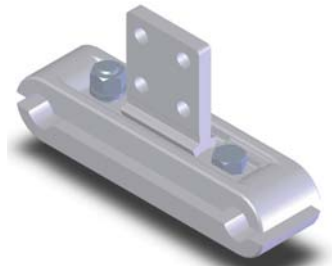
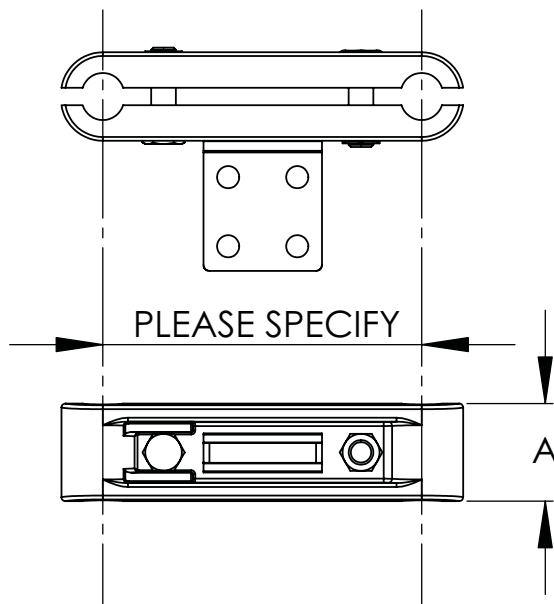


BRONZE / ALUMINUM PARALLEL CABLE SPACERS

SECTION 110-1CST



90 DEGREE
ROTATED PAD

BRONZE CABLE SPACER TERMINAL							
CATALOG NUMBER	PAD STYLE	CABLE MAIN AWG or MCM		CABLE TAP AWG or MCM		DIMENSIONS IN INCHES	
		MIN.	MAX.	MIN.	MAX.	A	K
110-101-CSTB*	B	4	250	4	250	2	3/8
110-101-CSTC*	C	4	250	4	250	2	3/8
110-101-CSTD*	D	4	250	4	250	2	3/8
110-103-		250	500	250	500	2	1/2
110-105-		500	1000	500	1000	2	1/2
110-107-		1000	1500	1000	1500	2	5/8
110-110-		1500	2000	1500	2000	2	5/8

*Please specify cable spacing (in.)

ALUMINUM CABLE SPACER TERMINAL							
CATALOG NUMBER	PAD STYLE	CABLE MAIN AWG or MCM		CABLE TAP AWG or MCM		DIMENSIONS IN INCHES	
		MIN.	MAX.	MIN.	MAX.	A	K
110-111-CSTB*	B	4	250	4	250	1 3/4	1/2
110-111-CSTC	C	4	250	4	250	1 3/4	1/2
110-111-CSTD	D	4	250	4	250	1 3/4	1/2
110-113-		250	400	250	400	1 3/4	1/2
110-115-		350	600	350	600	1 3/4	1/2
110-117-		600	900	600	900	1 3/4	1/2
110-119-		900	1250	900	1250	2 1/8	5/8
110-121-		1272	1590	1272	1590	2 1/8	5/8
110-123-		1590	2000	1590	2000	2 1/8	5/8

*Please specify cable spacing (in.)

Bronze Parallel Cable Spacer Terminal

The Type CST cable spacer terminal features clamping members made of high strength, high conductivity copper alloy. The bolts, nuts, and lockwashers are silicon bronze for clamping efficiency and resistance to corrosion. Width (A) will vary with length.

Aluminum Parallel Cable Spacer Terminal

A high strength, high conductivity aluminum cable spacer terminal, the Type CSTA includes clamping hardware made of high-tensile aluminum for dependability and durability in the field. To facilitate installation, all bolt heads are captivated.

Note: To obtain a cable spacer terminal for (2) 300 MCM copper conductors spaced at 8 inches with a 4 hole NEMA pad rotated 90° add suffix "-8-90".

Example: 110-103-CSTC -8-90