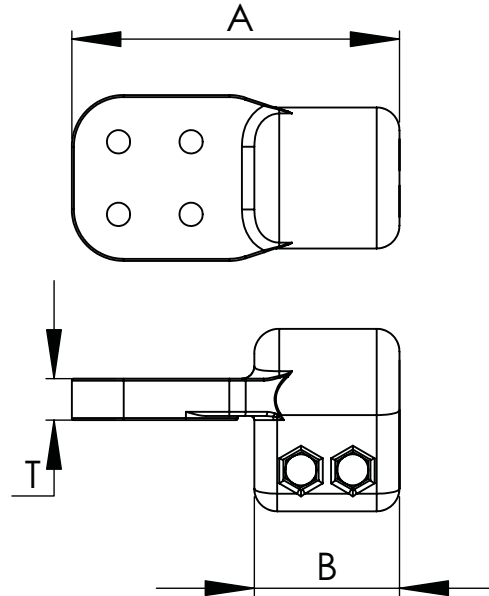


Manufactured of a lightweight aluminum alloy, the Type EHV ASTB, which connects a threaded stud to a flat bar bus, features clamping hardware of high tensile aluminum for resistance to corrosion. Corona free performance is achievable up to 345KV with the use of available bolt shields. Contact sealant is recommended.



Shown here with available bolt shields.



THREADED STUD TO FLAT PAD				
CATALOG NUMBER	STUD SIZE	DIMENSIONS IN INCHES		
		A	B	T
14-414-EHV	1 1/8-12	8	3	3/4
14-424-EHV	1 1/2-12	8	3	1
14-434-EHV	2-12	8	3 1/2	1
14-446-EHV	2 1/2-12	8 1/8	3 1/2	1
14-456-EHV	3-12	9	4 1/2	1 1/8