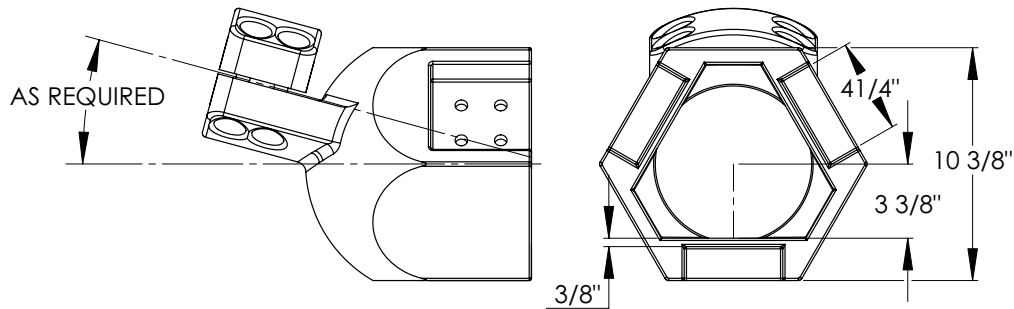
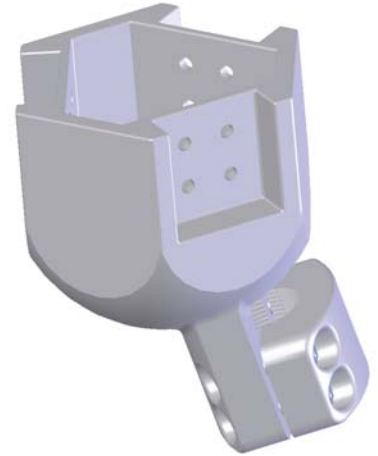


PRODUCT DESIGN UTILITY EHV TRIFURCATING STUD CONNECTORS

The stud to pad trifurcating connectors are cast of a high strength aluminum alloy and are capable of providing a corona free environment up to 500KV. Mounting hardware is available but must be ordered separately. When placing an order, please indicate the desired angel of the stud with the appropriate descriptor. Example TAS(9)-14-414-15-EHV. If a connector that has the stud in line with the pads is preferred simple leave out any descriptor. Example TAS(9)-14-414-EHV.



* Specify desired angle.

TRIFURCATING TEE CONNECTORS PIPE TO FLAT PADS		
CATALOG NUMBER	PIPE IPS	DIMENSIONS IN INCHES A
TAS(9)-14-414-*-EHV	1 1/8-12	9 3/4
TAS(9)-14-424-*-EHV	1 1/2-12	10
TAS(9)-14-434-*-EHV	2-12	10 3/4
TAS(9)-14-456-*-EHV	3-12	11

112-3E