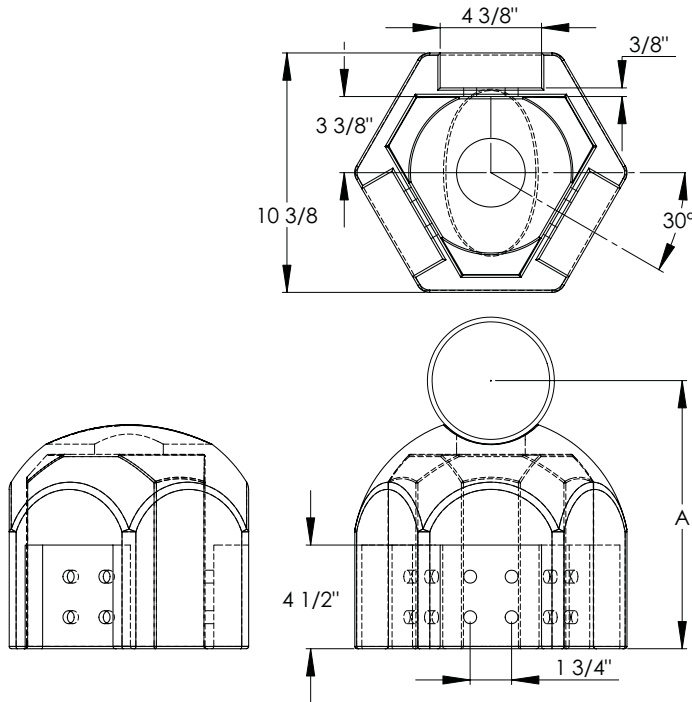
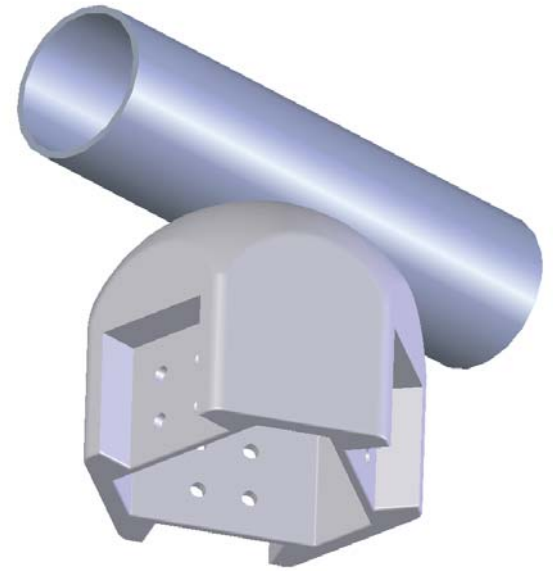


The pipe to pad trifurcating connectors are cast of a high strength aluminum alloy and are capable of providing a corona free environment up to 500KV. Mounting hardware is available but must be ordered separately. Due to the recessed pads, bolt shields are not required. Contact sealant is recommended.



TRIFURCATING TEE CONNECTORS PIPE TO FLAT PADS		
CATALOG NUMBER	PIPE IPS	DIMENSIONS IN INCHES A
TATEE-9-EHV (2 1/2IPS)	2 1/2	9 3/4
TATEE-9-EHV (3IPS)	3	10
TATEE-9-EHV (3 1/2IPS)	3 1/2	10 3/4
TATEE-9-EHV (4IPS)	4	11
TATEE-9-EHV (5IPS)	5	11 5/8
TATEE-9-EHV (6IPS)	6	12