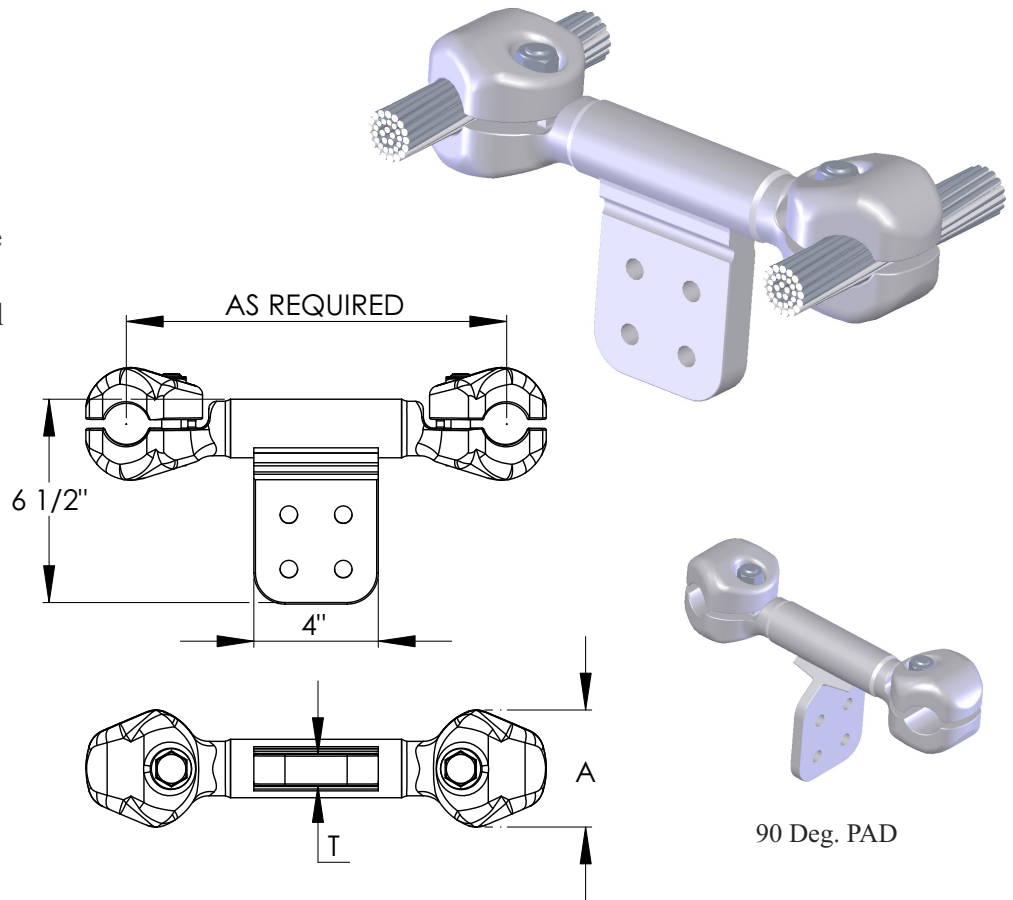


A high strength, high conductivity aluminum cable spacer terminal, the Type EHV CSTA includes clamping hardware made of high-tensile aluminum for dependability and durability in the field. To facilitate installation and aid in corona free performance, all bolt heads are captivated. To obtain a cable spacer terminal for (2) 2000 AAC conductors spaced at 8 inches add descriptor “-8-”. Example: 110-123-CSTD-8-EHV(2000AAC). For a pads rotated 90 Deg. add suffix -90



*Specify center distance. (**) Specify specific conductor size.

BOLTED EHV PARALLEL TERMINALS, CABLE TO CABLE					
CATALOG NUMBER	DIMENSIONS IN INCHES				
	AAC	ACSR	DIA.	A	T
110-117-CSTD-*-345KV(**)	600-900	477-795	.953-1.162	2 1/2	3/4
110-119-CSTD-*-EHV(**)	900-1272	795-1113	1.094-1.364	2 1/2	3/4
110-121-CSTD-*-EHV(**)	1272-1590	1113-1431	1.289-1.547	3 3/4	1
110-123-CSTD-*-EHV(**)	1590-3500	1431-2156	1.459-2.16	3 3/4	1

Dimensions may vary depending on specific conductor size.

110-3E